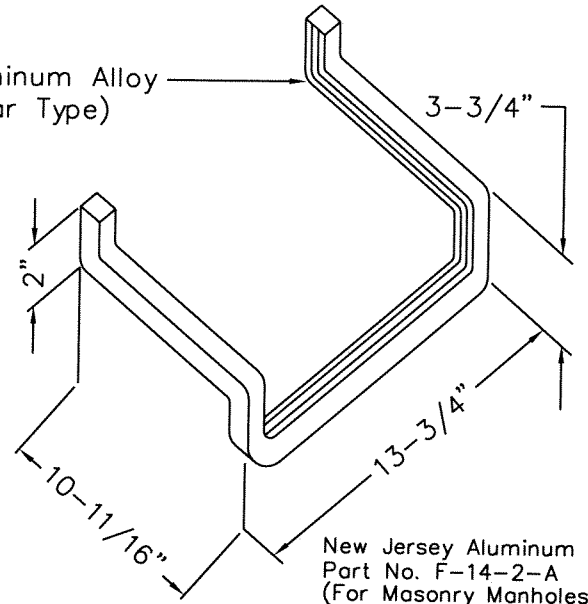
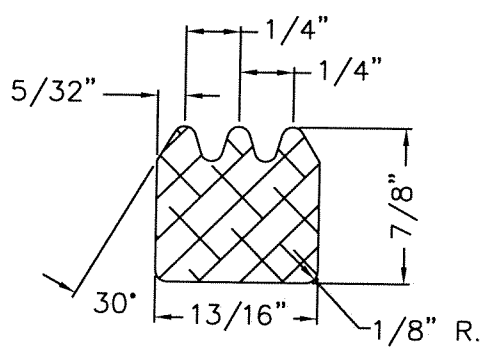


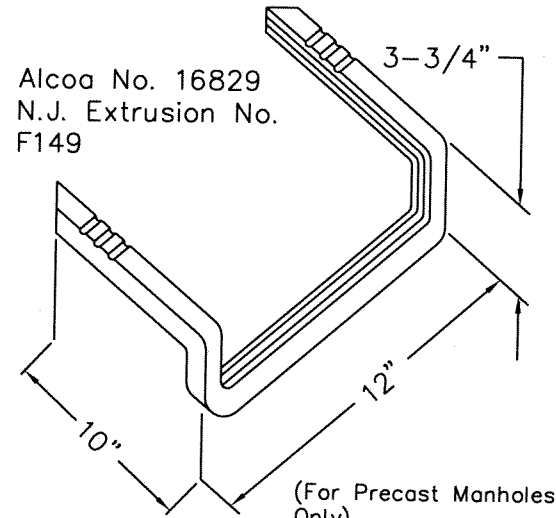
New Jersey Aluminum  
Part No. F-14-7-DF-A  
(For Precast Manholes  
Only)



New Jersey Aluminum  
Part No. F-14-2-A  
(For Masonry Manholes  
Only)



Typical Cross Section  
Of Steps




Alcoa No. 16829  
N.J. Extrusion No.  
F149

(For Precast Manholes  
Only)

Notes:

1. Steps Shall Be Extruded Aluminum. Aluminum Shall Be Aluminum Alloy Conforming To ASTM B221 Alloy 6061-T6 As Manufactured By D & D Products, Uhrichville, Ohio 44683.
2. Minimum Embedding Depths:  
F-14-2-A 4"  
F-14-7-DF-A Per ASTM-C-478 (Currently 3")
3. Embedded Portion Of Steps Shall Be Coated With Zinc Chromate Or An Approved Equal.

APPROVAL	REVISED	TOWN OF EASTON AND EASTON UTILITIES STANDARD DETAILS MANHOLE STEPS ALUMINUM
 EU MANAGER OF ENGINEERING DATE	MAR 1, 94	
	AUG 1, 94	
ISSUED: MAY 1, 1986	STANDARD NO.	SS-3.00