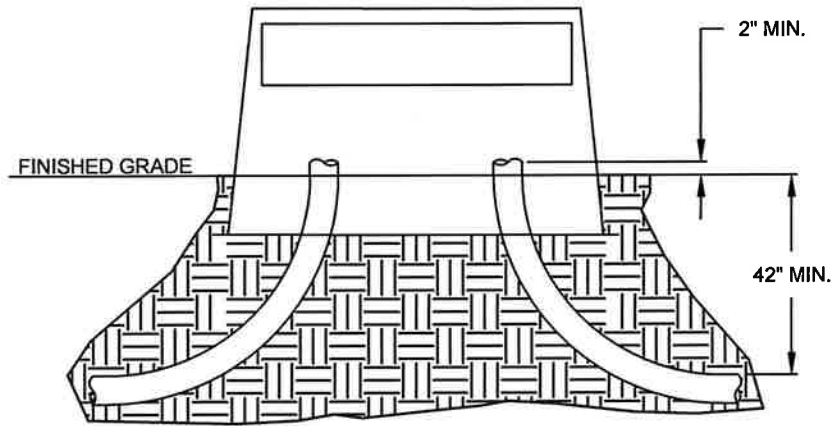
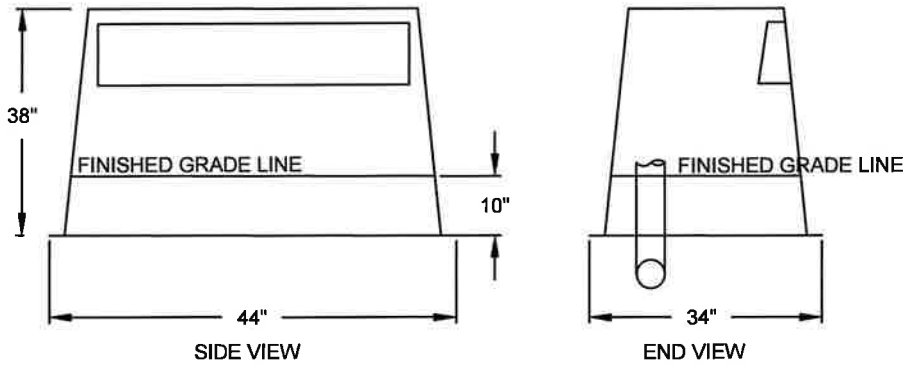


O:\standets\REVISED 2024\REVISED-RENUMBERED 2024\E-102.1.1.dwg, 1/30/2024 3:30:03 PM, 1:1




DETAIL  
NOT TO SCALE

**NOTES:**

1. CABINET SIZES MAY VARY DEPENDING ON MANUFACTURER. CONTACT EASTON UTILITIES FOR CABINET DIMENSIONS.
2. INSTALL DUCTS WITH 42" MIN. COVERAGE. TRENCH MUST BE INSPECTED BY EASTON UTILITIES PRIOR TO BACKFILLING.
3. REFER TO ELECTRIC PLAN DRAWINGS FOR CONDUIT SIZE AND QUANTITY.
4. TAP CABINET SUPPLIED BY EASTON UTILITIES.
5. COORDINATE WITH EASTON UTILITIES CONDUIT LOCATIONS WITHIN SLEEVE.
6. SEE CONDUIT AND DUCT BANK NOTES ON E-100.1.2 STANDARD DETAILS.



Life. Made better.™

	APPROVAL	REVISED	
	 EU ENGINEERING DEPARTMENT 1/31/2024 DATE		<b>EASTON UTILITIES STANDARD DETAILS</b>  <b>1Ø TAP CABINET</b>
	<b>ISSUED: JANUARY 2024</b>		<b>STANDARD NO.: E-102.1.1</b>