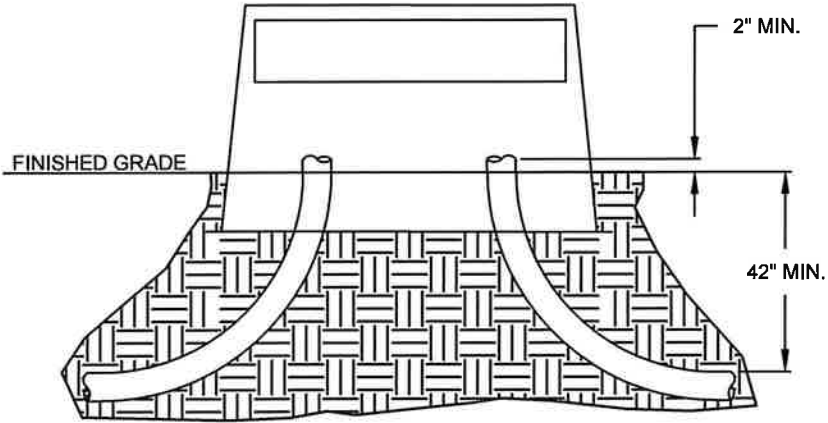
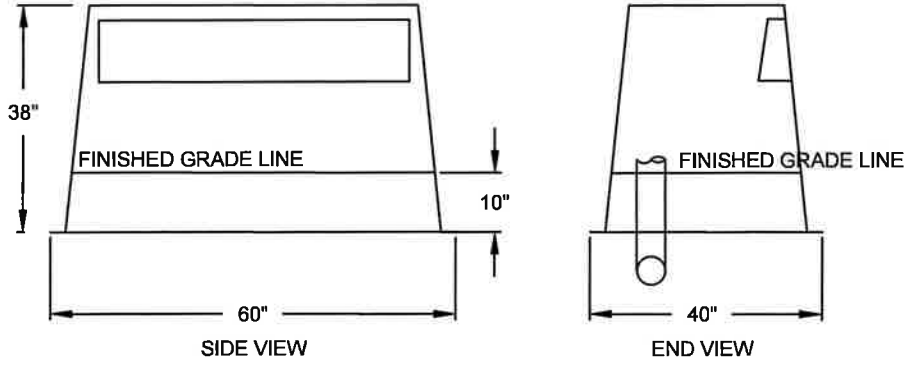


O:\standets\REVISED 2024\REVISED-RENUMBERED 2024\E-102.2.1.dwg, 1/30/2024 3:32:18 PM, 1:1



DETAIL
NOT TO SCALE

NOTES:

1. CABINET SIZES MAY VARY DEPENDING ON MANUFACTURER. CONTACT EASTON UTILITIES FOR CABINET DIMENSIONS.
2. INSTALL DUCTS WITH 42" MIN. COVERAGE. TRENCH MUST BE INSPECTED BY EASTON UTILITIES PRIOR TO BACKFILLING.
3. REFER TO ELECTRIC PLAN DRAWINGS FOR CONDUIT SIZE AND QUANTITY.
4. TAP CABINET SUPPLIED BY EASTON UTILITIES.
5. COORDINATE WITH EASTON UTILITIES CONDUIT LOCATIONS WITHIN SLEEVE.
6. SEE CONDUIT AND DUCT BANK NOTES ON E-100.1.2 STANDARD DETAILS.



Life. Made better.™

APPROVAL

 EU ENGINEERING DEPARTMENT
 1/31/2024
 DATE

REVISED

**EASTON UTILITIES
STANDARD DETAILS**

3Ø TAP CABINET

ISSUED: JANUARY 2024

STANDARD NO.: E-102.2.1