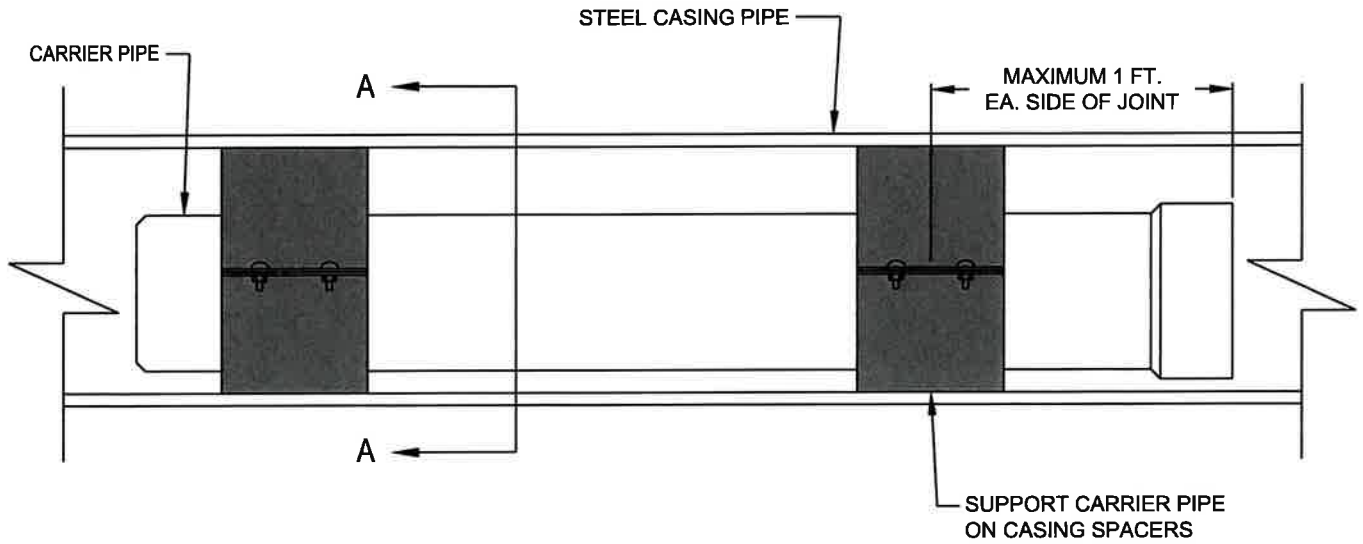
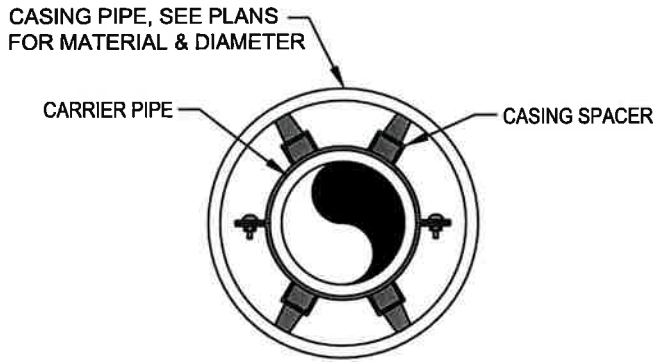


O:\standets\REVISED 2024\REVISED-RENUMBERED 2024\G-101.2.dwg, 1/31/2024 10:01:01 AM, 1:1



SIDE VIEW WITH EXTERIOR WALL OF CASING REMOVED FOR CLARITY



SECTION A-A

CARRIER PIPE NOMINAL DIAMETER (IN)	CASING PIPE NOMINAL DIAMETER (IN)	CASING PIPE THICKNESS
8"	16"	0.25"
10"	18"	0.25"
12"	20"	0.313"
16"	26"	0.313"

NOTES:

- CARRIER PIPE TO BE PRESSURE PIPE ONLY. TYPE OF UTILITY, ELEVATION, SIZE AND MATERIAL OF PIPE SHALL BE AS SHOWN ON THE PLANS OR AS INDICATED IN THE SPECIFICATIONS.
- SPACERS SHALL BE STAINLESS STEEL BOLT-ON STYLE WITH A TWO PIECE SOLID SHELL INSTALLED PER MANUFACTURER'S REQUIREMENTS. MINIMUM OF 2 PER JOINT AND 1 SPACE 3' FROM CASING END.
- PVC COATED STEEL CASING SPACERS SHALL BE AN ACCEPTABLE ALTERNATE. CASING SPACERS SHALL BE INSTALLED ACCORDING TO MANUFACTURER'S DIRECTIONS.
- SEAL ENDS OF CASING PIPE WITH PULL-ON WATER TIGHT END SEAL, CLAMPED TO CASING AND CARRIER PIPES WITH STAINLESS STEEL BANDS.



Life. Made better.™

APPROVAL

[Signature]
EU ENGINEERING DEPARTMENT

1/31/2024
DATE

REVISED

**EASTON UTILITIES
STANDARD DETAILS**

**CASING INSTALLATION
FOR PRESSURE PIPE**

ISSUED: JANUARY 2024

STANDARD NO.: G-101.2