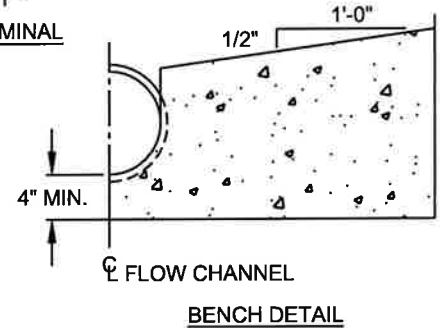
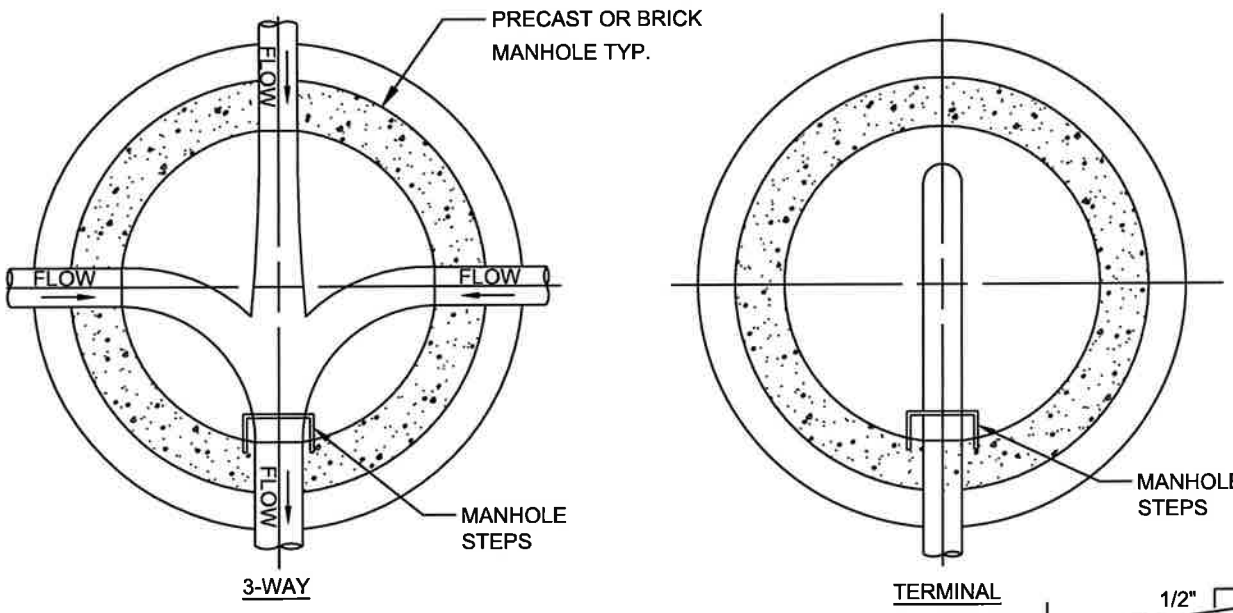
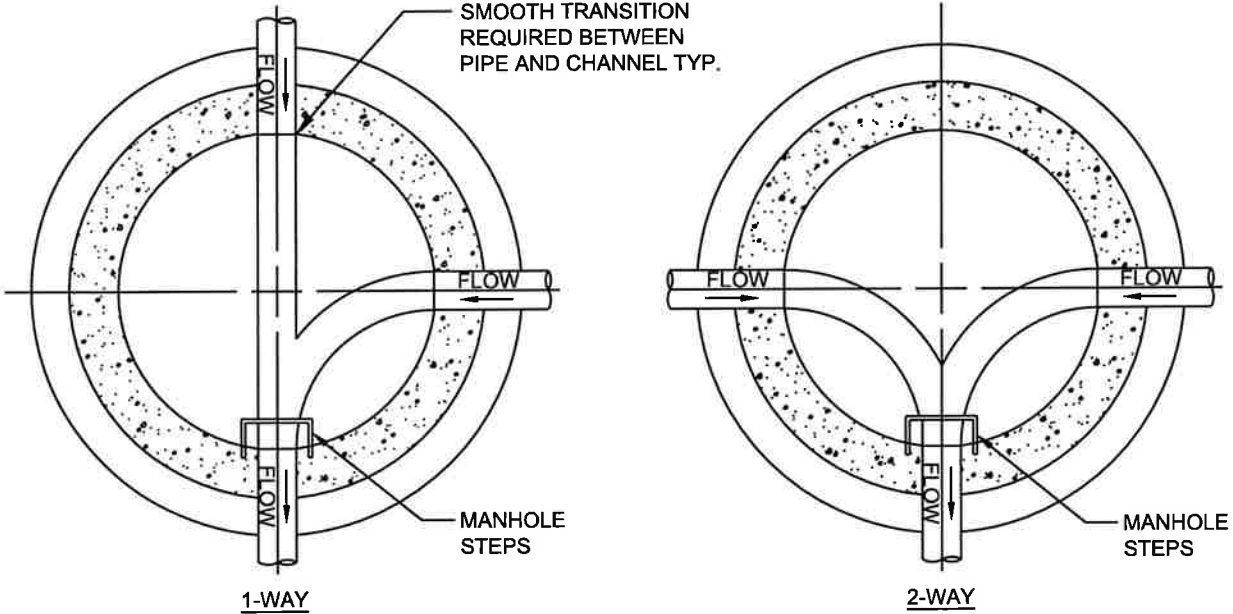


O:\standets\REVISED 2024\REVISED-RENUMBERED 2024\SS-101.6.dwg, 1/31/2024 8:19:02 AM, 1:1



FLOW CHANNEL NOTES:

1. FLOW CHANNELS SHALL BE EITHER BRICK OR CONCRETE, 4" MIN. THICKNESS. USE "TYPE S" MORTAR FOR BRICK CHANNELS. CONCRETE SHALL BE SHA MIX NO. 1.
2. CHANNEL WIDTH SHALL MATCH INSIDE DIAMETER OF INCOMING AND OUTGOING PIPES. BLEND CHANNEL FOR SMOOTH TRANSITION.
3. BENCH SHALL BE INSTALLED TO TOP OF PIPE, SEE DETAIL.

| | | | | |
|-------------------------------------------------------------------------------------------------------------------|------------------------------------------------------------------------------------------------------------------|----------------|--------------------------------------------------------------------------------------|--|
|  Life. Made better.™ | APPROVAL | REVISED | EASTON UTILITIES STANDARD DETAILS MANHOLE FLOW CHANNELS | |
| |  EU ENGINEERING DEPARTMENT | | | |
| | 1/31/2024 DATE | | | |
| | | | | |
| | | | | |
| | ISSUED: JANUARY 2024 | | STANDARD NO.: SS-101.6 | |