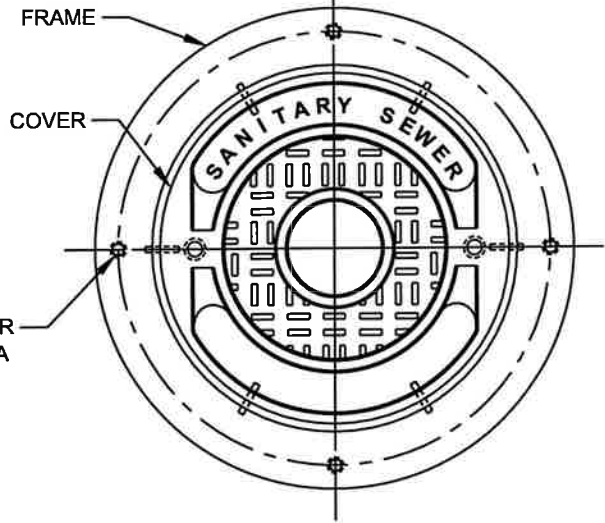
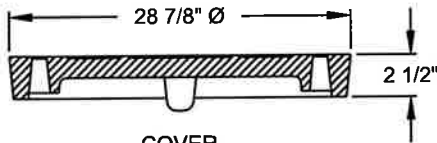


(2) 1 1/8" Ø LIFTING HOLES

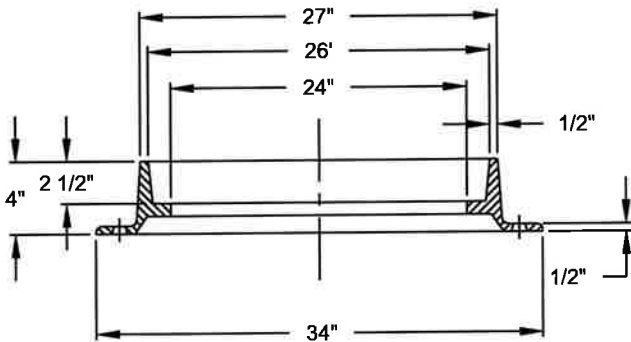


(4) 1" DIA. ANCHOR BOLT HOLES ON A 30 1/4" DIA. B.C.

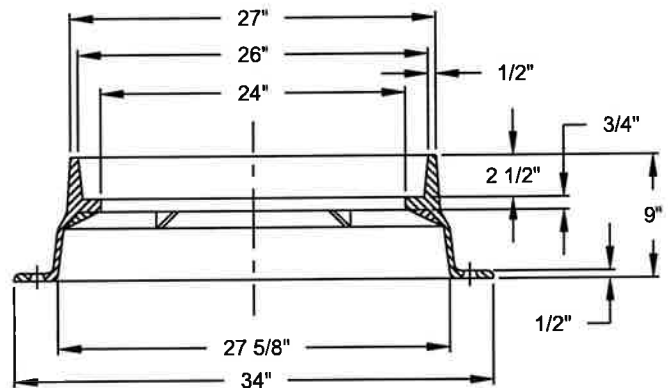
COVER SHALL BE LETTERED "SANITARY SEWER"



COVER
U.S. FOUNDRY-NEENAH ENTERPRISES
NF #15650001



FRAME FOR SLAB TOP MH.
R-1565A



FRAME FOR STANDARD MH.
R-1565

NOTES:

1. CASTING SHALL CONFORM TO ASTM A-48-64 CLASS 35B IRON MINIMUM.
2. CASTING SHALL HAVE GROUND OR MACHINED BEARING SURFACES.
3. CASTING SHALL BE OF UNIFORM QUALITY, FREE FROM BLOW HOLES, POROSITY, HARD SPOTS, SHRINKAGE DEFECTS, OR OTHER INJURIOUS DEFECTS.
4. CASTING SHALL BE HEAVY DUTY ROADWAY TYPE.
5. FRAME & COVER SHALL BE R-1565 AS MANUFACTURED BY NEENAH FOUNDRY COMPANY OR AN APPROVED EQUAL.
6. CONTRACTOR TO FURNISH AND INSTALL PARSON MANHOLE INSERT, MODEL V2P AT ALL LOCATIONS EXCEPT ARV MANHOLES.

O:\standets\REVISED 2024\REVISED-RENUMBERED 2024\SS-101.7.dwg, 1/31/2024 8:22:01 AM, 1:1



Life. Made better.™

APPROVAL

[Signature]
EU ENGINEERING DEPARTMENT

1/31/2024
DATE

REVISED

EASTON UTILITIES
STANDARD DETAILS

MANHOLE FRAME &
COVER

ISSUED: JANUARY 2024

STANDARD NO.: SS-101.7