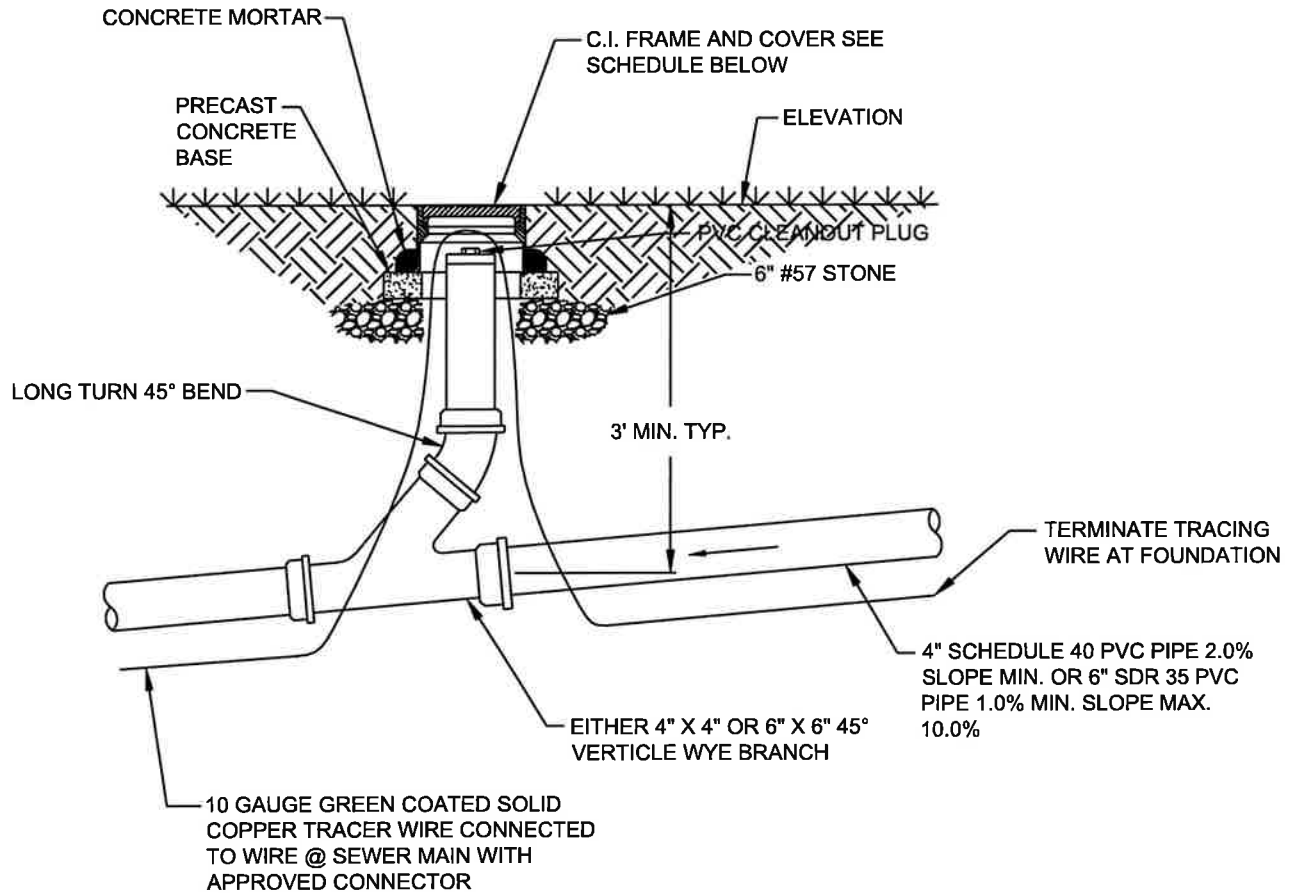


O:\standets\REVISED 2024\REVISED-RENUMBERED 2024\SS-102.1.dwg, 1/31/2024 8:04:05 AM, 1:1



FRAME AND COVER REQUIRED (NON TRAFFIC BEARING)	
PIPE SIZE	CASTING NUMBER
4"	EAST JORDAN IRON WORKS NO. 1570
6"	EAST JORDAN IRON WORKS NO. 1566

NOTES:

1. SERVICE CONNECTION SHALL BE PERPENDICULAR TO MAIN.
2. WARNING TAPE SHALL BE 12" ABOVE PIPE AND 12" BELOW GROUND SURFACE.
3. USE CLASS 50 DUCTILE IRON FOR SERVICES WITH LESS THAN 3' OF COVER.
4. NO SPLICES ON TRACER WIRE. MECHANICAL CONNECTORS ONLY IN CLEANOUTS.
5. EMBED PIPE IN #57 STONE FROM 6" BELOW INVERT TO 2" ABOVE CROWN.
6. SEWER LATERAL SHALL BE 6" FROM THE MAIN TO THE PROPERTY LINE.
7. PROVIDE 12" OF SLACK TRACER WIRE INSIDE CLEANOUT FRAME.

 Life. Made better.™	<p>APPROVAL</p>  EU ENGINEERING DEPARTMENT  DATE	<p>REVISED</p>	<p>EASTON UTILITIES STANDARD DETAILS</p> <p>GRAVITY SEWER CLEANOUTS</p>
	<p>ISSUED: JANUARY 2024</p>		