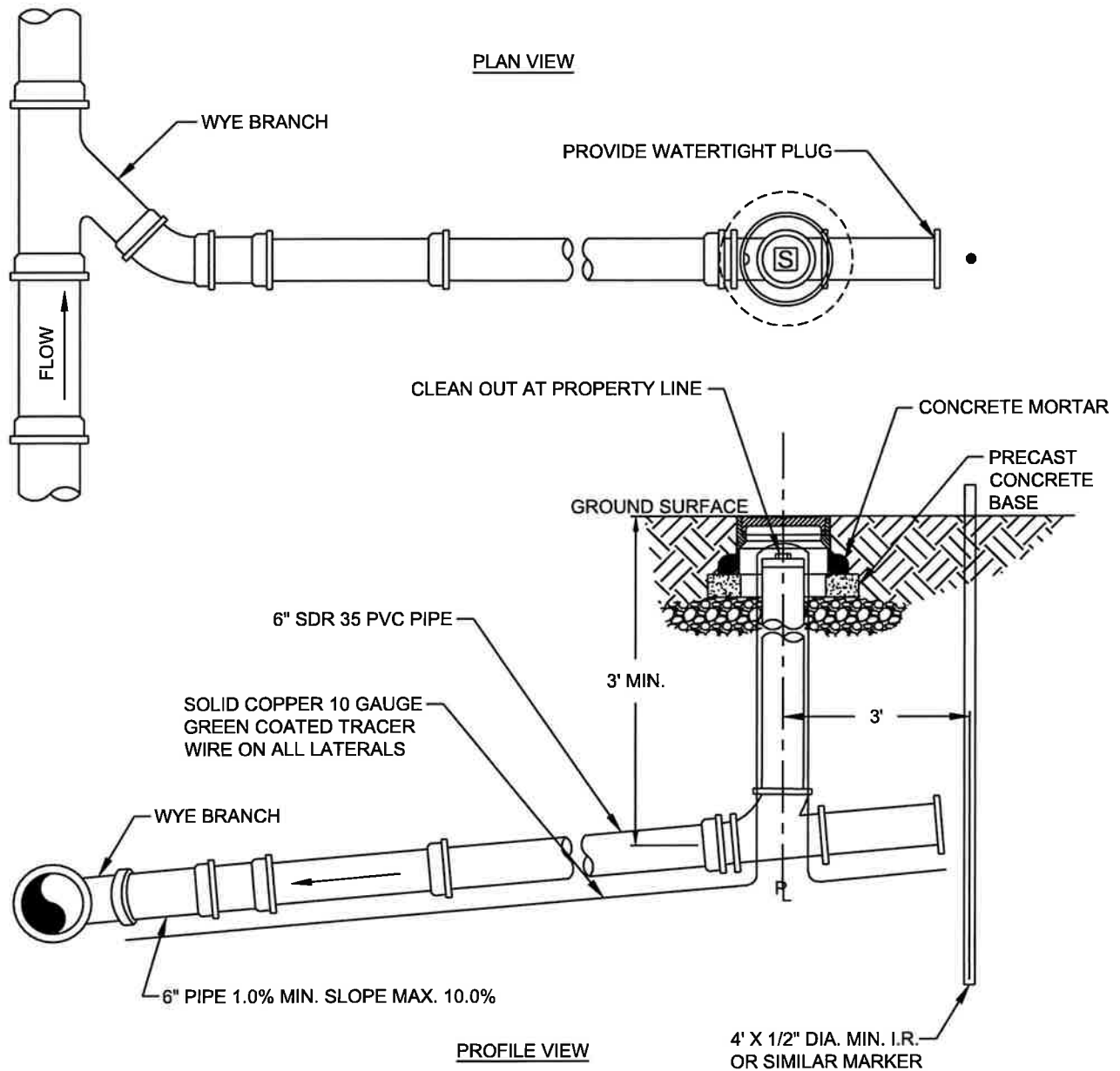


O:\standets\REVISED 2024\REVISED-RENUMBERED 2024\SS-102.4.dwg, 1/31/2024 9:01:50 AM, 1:1




**NOTES:**

1. SERVICE CONNECTION SHALL BE PERPENDICULAR TO MAIN.
2. WARNING TAPE SHALL BE 12" ABOVE PIPE AND 12" BELOW GROUND SURFACE.
3. USE CLASS 50 DUCTILE IRON FOR SERVICES WITH LESS THAN 3' OF COVER.
4. NO SPLICES ON TRACER WIRE. MECHANICAL CONNECTORS ONLY IN CLEANOUTS.
5. EMBED PIPE IN #57 STONE FROM 6" BELOW INVERT TO 2" ABOVE CROWN.



Life. Made better.™

<p><b>APPROVAL</b></p>  <p>EU ENGINEERING DEPARTMENT</p> <p>1/31/2024</p> <p>DATE</p>	<p><b>REVISED</b></p>	<p><b>EASTON UTILITIES STANDARD DETAILS</b></p> <p><b>SEWER COLLECTION SYSTEM</b></p> <p><b>SEWER HOUSE SERVICE</b></p>	
<p><b>ISSUED: JANUARY 2024</b></p>		<p><b>STANDARD NO.: SS-102.4</b></p>	