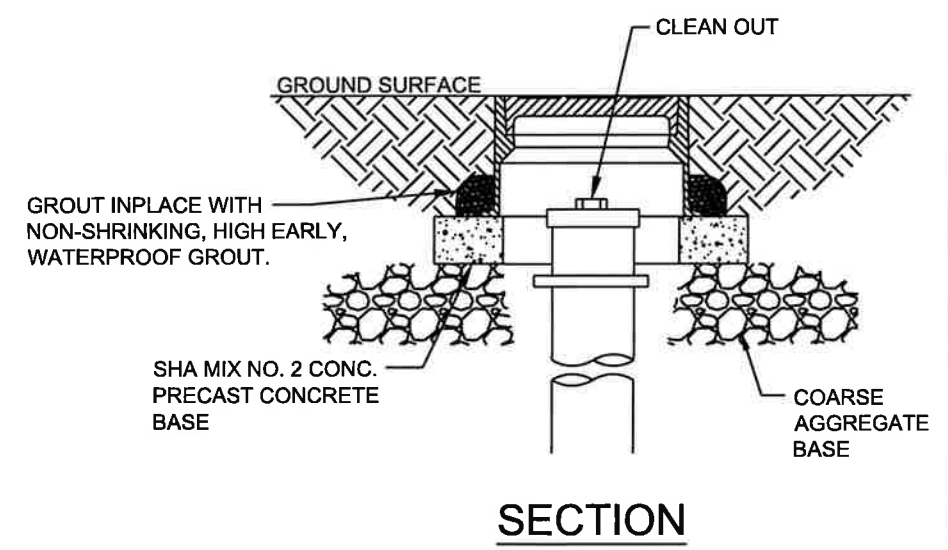
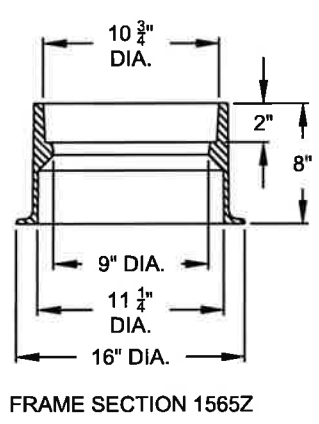
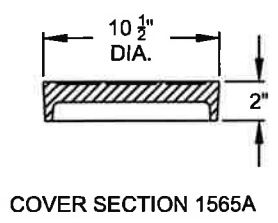
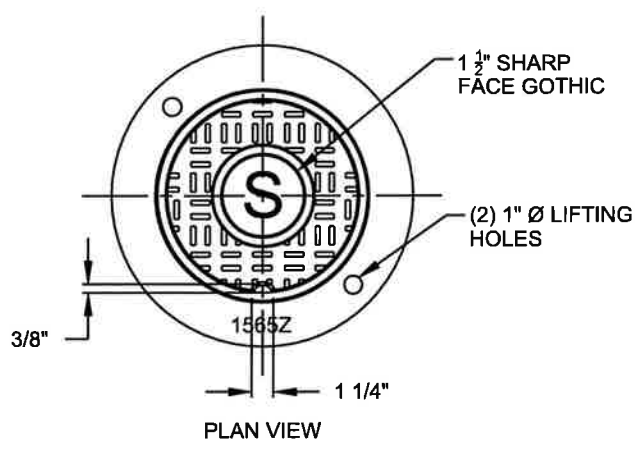




O:\standets\REVISED 2024\REVISED-RENUMBERED 2024\SS-102.7.dwg, 1/31/2024 8:30:52 AM, 1:1



- NOTES:
1. CASTING SHALL CONFORM TO ASTM A-48-64 CLASS 35B IRON MINIMUM.
 2. CASTING SHALL HAVE GROUND OR MACHINED BEARING SURFACES.
 3. CASTING SHALL BE OF UNIFORM QUALITY, FREE FROM BLOW HOLES, POROSITY, HARD SPOTS, SHRINKAGE DEFECTS, OR OTHER INJURIOUS DEFECTS.
 4. CASTING SHALL BE HEAVY DUTY ROADWAY TYPE.
 5. FRAME & COVER SHALL BE AS MANUFACTURED BY EAST JORDAN IRON WORKS OR AN APPROVED EQUAL.

 Life. Made better.™	APPROVAL	REVISED	EASTON UTILITIES STANDARD DETAILS MAINLINE CLEANOUT FRAME & COVER	
	 EU ENGINEERING DEPARTMENT			
	1/31/2024 DATE			
	ISSUED: JANUARY 2024			
				STANDARD NO.: SS-102.7