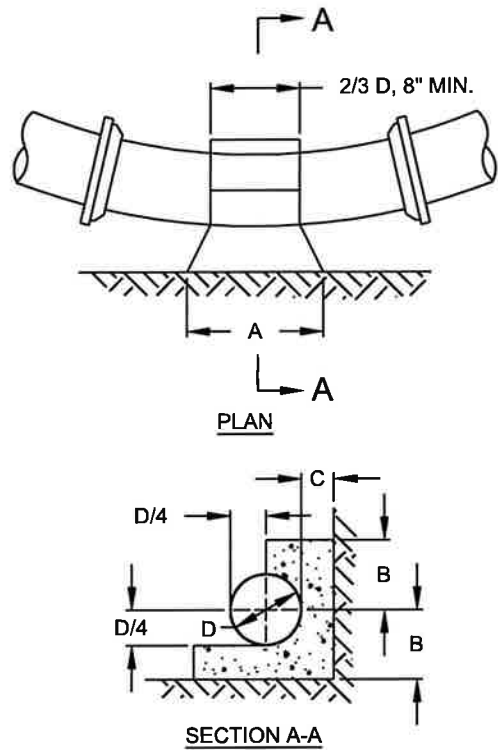
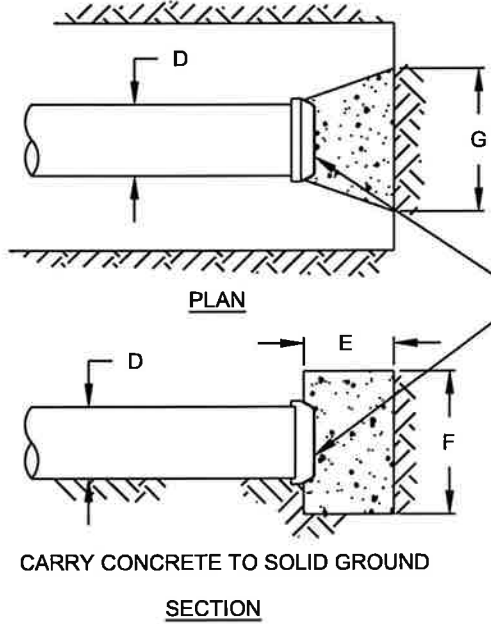


O:\standets\REVISED 2024\REVISED-RENUMBERED 2024\W-101.1.dwg, 1/30/2024 12:50:05 PM, 1:1



BUTTRESS FOR HORIZONTAL BENDS							
BEND		4"	6"	8"	10"	12"	16"
11 1/4°	A	6"	6"	8"	10"	1'-0"	1'-4"
	B	7"	7"	8"	9"	10"	1'-0"
	C	7"	7"	7"	8"	8"	9"
22 1/2°	A	9"	9"	1'-0"	1'-6"	1'-9"	2'-3"
	B	7"	7"	8"	9"	10"	1'-0"
	C	8"	8"	9"	10"	11"	1'-2"
45°	A	1'-3"	1'-3"	1'-8"	2'-1"	2'-6"	3'-4"
	B	7"	7"	8"	9"	11"	1'-3"
	C	8"	8"	9"	10"	11"	1'-2"
90°	A	2'-0"	2'-0"	2'-6"	3'-0"	3'-6"	5'-0"
	B	6"	6"	9"	1'-0"	1'-3"	1'-6"
	C	1'-5"	1'-10"	1'-9"	1'-8"	1'-7"	1'-5"

BUTTRESS FOR HORIZONTAL BENDS



BUTTRESS FOR CAPS AND PLUGS						
	4"	6"	8"	10"	12"	16"
D	4"	6"	8"	10"	12"	16"
E	6"	6"	8"	8"	10"	1'-0"
F	1'-5"	1'-0"	1'-4"	1'-6"	2'-0"	2'-8"
G	1'-0"	1'-5"	1'-11"	2'-5"	2'-10"	3'-9"

- NOTES:
1. ALL CONCRETE SHALL BE SHA MIX NO. 1.
 2. BUTTRESS DIMENSIONS ARE MINIMUM. DIMENSIONS ARE BASED UPON SOIL BEARING PRESSURE OF 3000 P.S.F. AND STATIC WATER PRESSURE OF 150 P.S.I. WHERE PRESSURE EXCEEDS 150 P.S.I. OR WHERE SOIL BEARING PRESSURE IS LESS THAN 3000 P.S.F. SPECIAL BUTTRESS DESIGN IS REQUIRED.
 3. BAGGED CONCRETE SHALL NOT BE PERMISSIBLE.

BUTTRESS FOR CAPS AND PLUGS

 Life. Made better.™	APPROVAL  EU ENGINEERING DEPARTMENT  DATE	REVISED 	EASTON UTILITIES STANDARD DETAILS BUTTRESSES FOR CAPS AND HORIZONTAL BENDS STANDARD NO.: W-101.1
	ISSUED: JANUARY 2024		