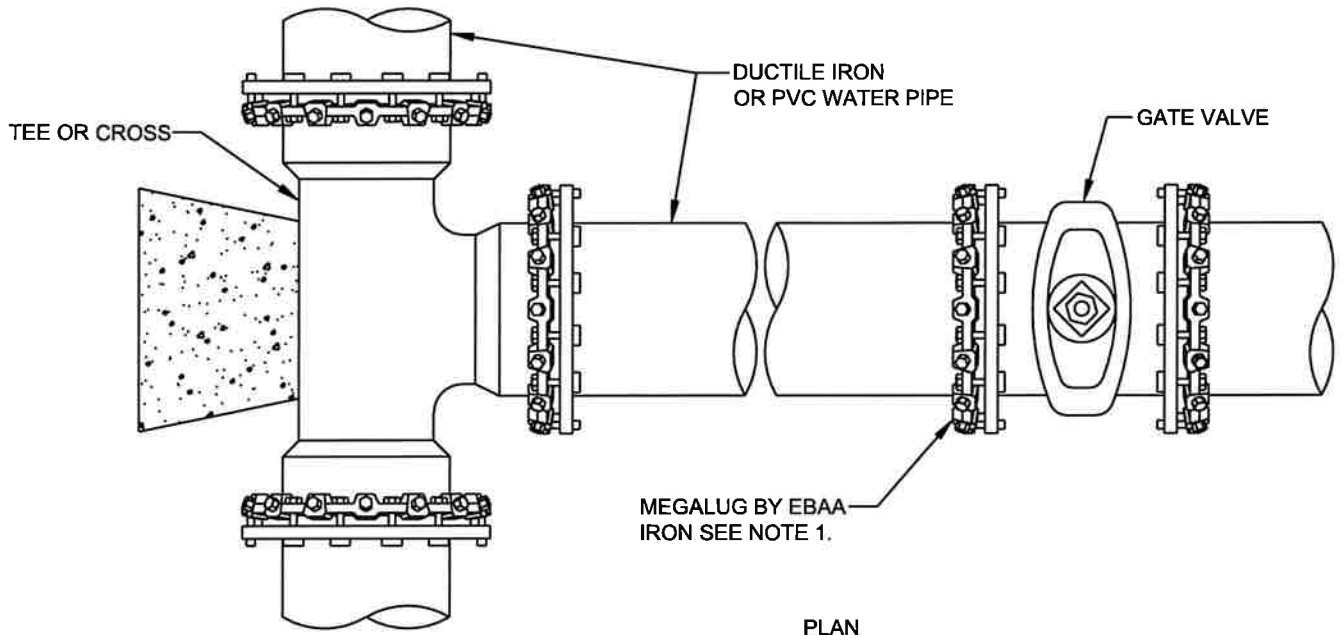
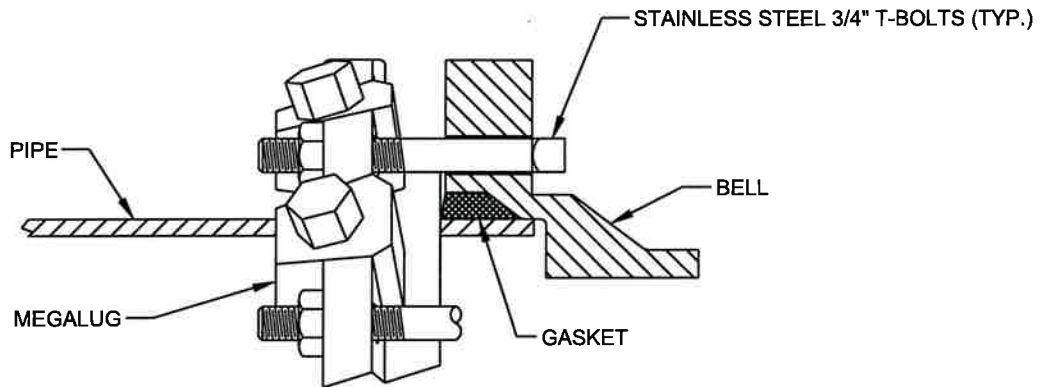


O:\standets\REVISED 2024\REVISED-RENUMBERED 2024\W-101.3.dwg, 1/30/2024 10:54:48 AM, 1:1



PLAN



CROSS SECTION

NOTES:

1. MEGALUG BY EBAA IRON: 1100 SERIES FOR DUCTILE IRON PIPE AND 2200 SERIES FOR PVC PIPE.
2. JOINT RESTRAINTS MAY BE USED IN PLACE OF BUTTRESSES WHEN APPROVED BY EASTON UTILITIES ENGINEER.



Life. Made better.™

APPROVAL	REVISED
 EU ENGINEERING DEPARTMENT 1/31/2024 DATE	
<b>ISSUED: JANUARY 2024</b>	

<b>EASTON UTILITIES STANDARD DETAILS</b>  <b>MECHANICAL JOINT RESTRAINT: DUCTILE IRON &amp; PVC PIPE</b>
<b>STANDARD NO.: W-101.3</b>