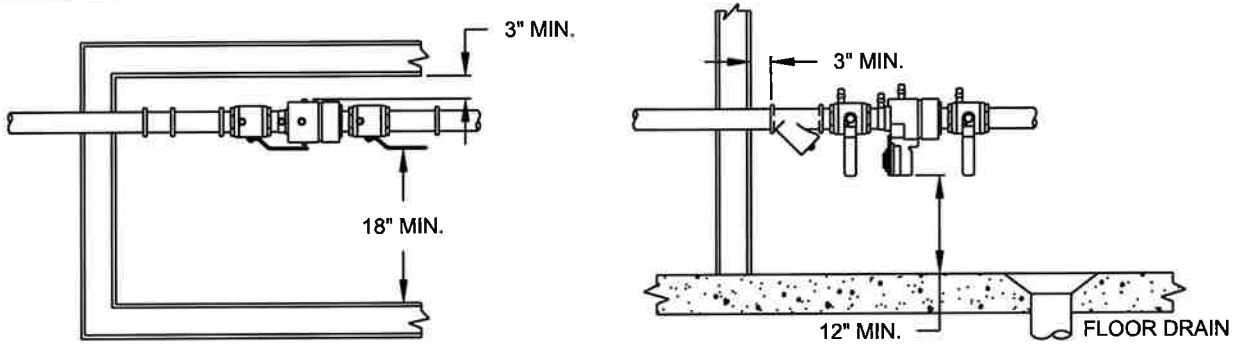


**OUTDOOR INSTALLATION**



**INDOOR INSTALLATION**

**NOTES:**

1. REDUCED PRESSURE BACKFLOW PREVENTER TO BE MANUFACTURED BY FEBCO OR AN APPROVED EQUAL.

**FEBCO PART NO.**

- 3/4" ASSEMBLY - FE860-075
- 1" ASSEMBLY - FE860-100
- 1 1/2" ASSEMBLY - FE860-150
- 2" ASSEMBLY - FE860-200

2. ASSEMBLY SHALL BE SUBMITTED TO EASTON UTILITIES FOR REVIEW.
3. ASSEMBLY SHALL BE INSTALLED IN A HORIZONTAL POSITION WITH EASY ACCESS FOR TESTING.
4. BACKFLOW PREVENTER SHALL BE REQUIRED ON ALL IRRIGATION, RESIDENTIAL FIRE SYSTEMS OR POTABLE WATER APPLICATIONS WHERE A PUMP IS UTILIZED.
5. OUTDOOR ASSEMBLIES WILL ONLY BE PERMITTED WHEN ACCOMPANIED BY AN ASSE 1060 APPROVED CLASS 1 ENCLOSURE.
6. BACKFLOW ASSEMBLIES SHALL NOT BE PERMITTED BELOW GRADE.
7. NO BYPASS IS PERMITTED.

**APPROVAL**

**REVISED**



Life. Made better.™

*[Signature]*  
 EU ENGINEERING DEPARTMENT  
 1/31/2024  
 DATE

**EASTON UTILITIES  
 STANDARD DETAILS**  
  
**REDUCED PRESSURE  
 BACKFLOW PREVENTER  
 2" DIA. AND LESS**

**ISSUED: JANUARY 2024**

**STANDARD NO.: W-102.6**