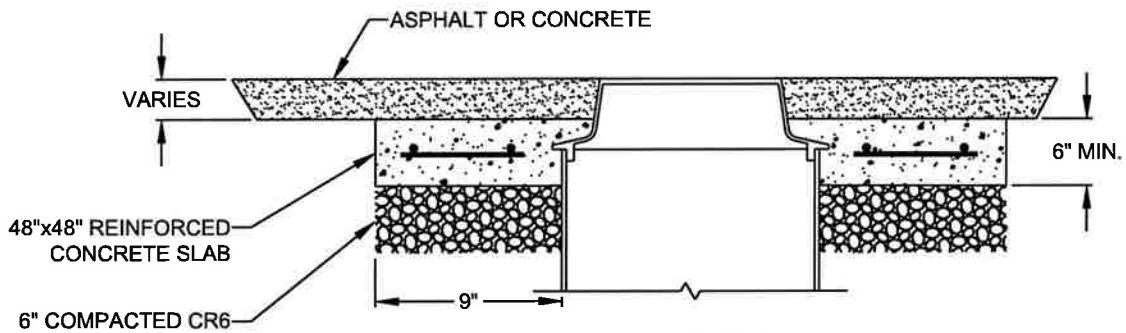
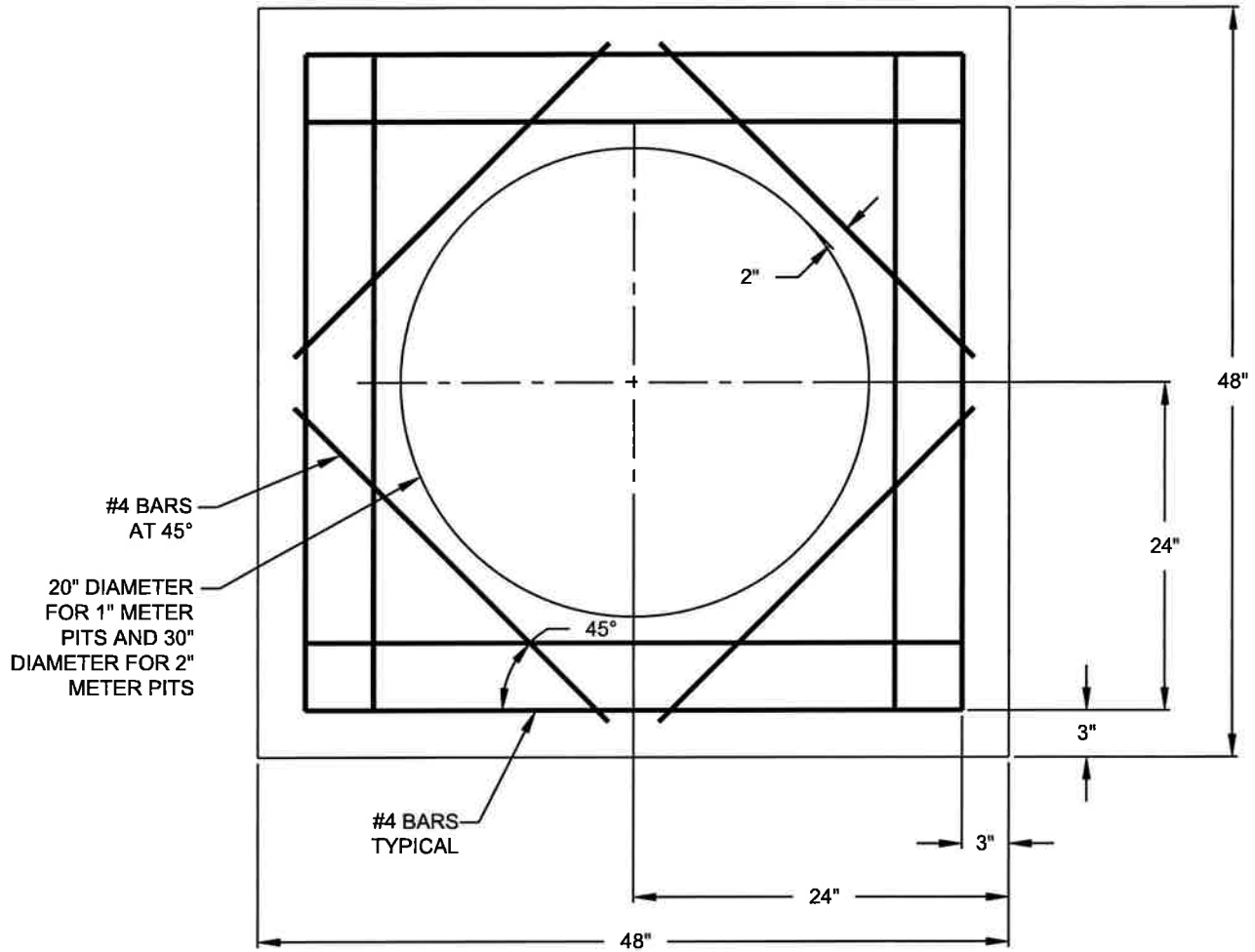


O:\standets\REVISED 2024\REVISED-RENUMBERED 2024\W-103.6.dwg, 1/30/2024 1:26:14 PM, 1:1




SECTION VIEW N.T.S.

**NOTES:**

1. CONTRACTOR SHALL CONTACT EASTON UTILITIES PRIOR TO THE WATER METER PIT INSTALLATION FOR ALL TRAFFIC BEARING INSTALLATIONS.
2. PORTLAND CEMENT MIXTURE SHALL MEET OR EXCEED SHA MIX #2.
3. ALL REINFORCEMENT SHALL BE #4 REBAR UNLESS OTHERWISE NOTED.



Life. Made better.™

	APPROVAL	REVISED	
	 EU ENGINEERING DEPARTMENT 1/31/2024 DATE		<b>EASTON UTILITIES STANDARD DETAILS</b>  <b>WATER METER PIT INSTALLATION-TRAFFIC BEARING</b>
	<b>ISSUED: JANUARY 2024</b>		<b>STANDARD NO.: W-103.6</b>